

C-600P

**Fixed Speed
Mechanical Cam
Output Adjustment**



Features:

- All ball bearing, permanently lubricated gear motor for smooth, quiet, powerful operation.
- Double-ball inlet and outlet cartridge type ceramic check valves. Chemical resistant PVDF valve body and fitting, ceramic balls, Viton static seals and TFE/P ball seat o-rings. No metal springs are used.
- Outputs to 516 GPD.
- Output pressures to 125 PSI.
- Stroke adjustment from 4-100% permits accurate small injections at a high rate per minute. 27:1 turndown
- Teflon coated EP diaphragm.
- Durable metal epoxy coated construction.
- PVDF suction (foot) valve with Viton and TFE/P o-rings, ceramic check ball and removable polypropylene filter screen.
- Includes 3/8" OD suction and discharge tubing, Injection fitting with spring-loaded check valve and all mounting

Specifications:

Max. working pressure:	125 psig (8.6 bar)	Voltage (amp draw):	115VAC/60Hz, 1ph (.74 amp max)
Max. fluid temperature:	130° F (54° C)		230VAC/60Hz, 1ph (.36 amp max)
Max. ambient temperature:	14° to 110° F / -10° to 43° C		220VAC/50Hz, 1ph (.31 amp max)
Maximum viscosity:	1,000 Centipoise		24VAC/60Hz, 1ph (3.40 amp max)
Maximum suction lift:	10 ft. Water 0 psig		12VDC (3.00 amp max)
Output adjustment range:	4-100% stroke length		24VDC (1.50 amp max)
Duty cycle:	Continuous	Power Connection:	Junction box for field wiring
Enclosure:	NEMA type 1, (IP20)	Approximate shipping wt:	8 lb. (3.6 kg)

Materials of Construction:

Wetted components:

Pump Head:Polypropylene (options: Teflon, Acrylic)
 Pump Head Inlet/outlet Valves:
 Cartridge valve body:PVDF
 Tube adapters:PVDF
 Check Balls:Ceramic
 Ball Seat O-ring:TFE/P (optional EP)
 Static Seal O-ring:Viton[®] (optional EP)
 Suction Tubing:Clear PVC
 Discharge Tubing:Natural Polyethylene (LLDPE)

Suction Footvalve/Strainer:

Body & Tubing adapter:PVDF (optional Teflon)
 Strainer:Polypropylene
 Check Ball:Ceramic (optional Teflon poppet)
 Ball Seat O-ring:TFE/P (optional EP)
 Static Seal O-ring:Viton[®] (optional EP)

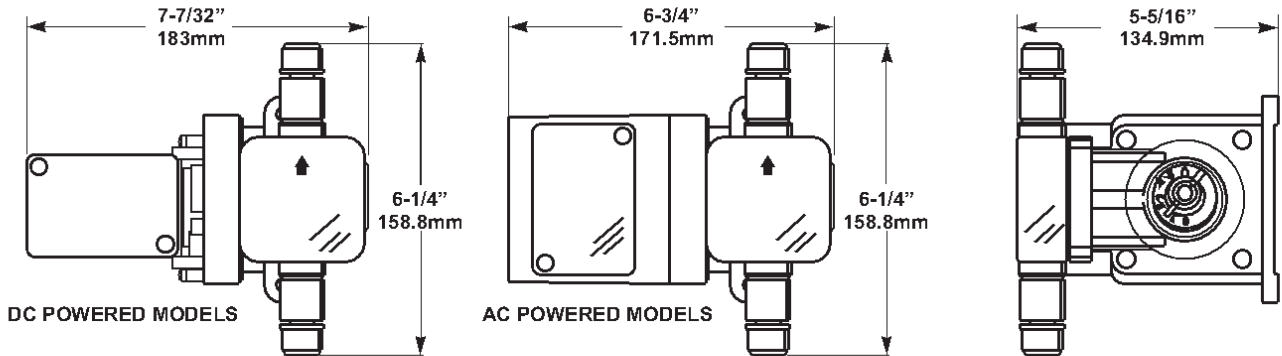
Injection/Check valve:

Body & insert:Polypropylene (optional PVDF, Teflon)
 Check Ball:Ceramic (optional Teflon poppet)
 Spring:Hastelloy C-276
 Ball Seat O-ring:TFE/P (optional EP)
 Static Seal O-ring:Viton[®] (optional EP)

Blue-White Industries, Ltd.

CHEM-FEED® Diaphragm Metering Pumps

Dimensions:



Model Number Matrix:

MODEL C-6 **P** -

Maximum Motor RPM	
14 = 14 RPM	60 = 60 RPM
30 = 30 RPM	125 = 125 RPM
45 = 45 RPM	250 = 250 RPM

Pump Head / Wet Parts	
P	= Heavy duty cartridge style polypropylene head
HV	= High volume output acrylic head

Power Supply Voltage	
115VAC	= 115V/60Hz
220VAC	= 220V/50Hz (20% less output)
230VAC	= 230V/60Hz
24VAC	= 24V/60Hz
12VDC	= 12V DC
24VDC	= 24V DC

Flow rate and pressure capacities:

AC powered models:

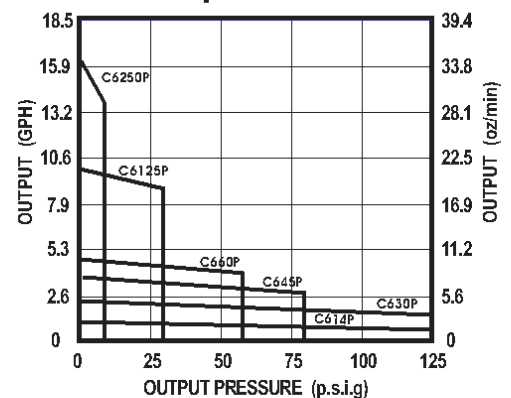
Max Output at 0 PSI				Strokes Per minute	Max PSI	115V/60Hz Model Number	230V/60Hz Model Number	220V/50Hz* Model Number
GPD	GPH	LPH	OZ/MIN					
24	1.0	3.8	2.7	14	125	C-614P-115VAC	C-614P-230VAC	C-614P-220VAC
58	2.4	9.3	5.2	30	125	C-630P-115VAC	C-630P-230VAC	C-630P-220VAC
91	3.8	14.9	8.1	45	80	C-645P-115VAC	C-645P-230VAC	C-645P-220VAC
110	4.6	17.4	9.8	60	60	C-660P-115VAC	C-660P-230VAC	C-660P-220VAC
237	9.9	37.0	21.1	125	30	C-6125P-115VAC	C-6125P-230VAC	C-6125P-220VAC
389	16.2	61.4	34.6	250	10	C-6250P-115VAC	C-6250P-230VAC	C-6250P-220VAC

* Note: 220V/50Hz models deliver approximately 20% less output.

DC powered models:

Max Output at 0 PSI				Strokes Per minute	Max PSI	12V DC Model Number	24V DC Model Number
GPD	GPH	LPH	OZ/MIN				
33	1.4	5.3	2.9	14	125	C-614P-12VDC	C-614P-24VDC
74	3.1	11.7	6.5	30	125	C-630P-12VDC	C-630P-24VDC
112	4.7	17.8	10.0	45	80	C-645P-12VDC	C-645P-24VDC
148	6.2	23.5	13.2	60	60	C-660P-12VDC	C-660P-24VDC
316	13.2	49.9	28.1	125	30	C-6125P-12VDC	C-6125P-24VDC
516	21.5	81.4	45.8	250	10	C-6250P-12VDC	C-6250P-24VDC

Maximum Output vs. Pressure Curve



CÔNG TY TNHH CÔNG NGHỆ KỸ THUẬT NAM PHÁT

VPGD: ĐƯỜNG SỐ 1, KP1, BÌNH HƯNG HÒA, BÌNH TÂN, TP HCM

ĐT: 08.35091919 - 626.91911 Fax: 08.54002956 DĐ: 0988.282.355

www.thegioimaythoikhi.com Email: namphattech@gmail.com

All trademarks are the property of their respective owners.
Technical data sheet #85000-055 rev.092205