

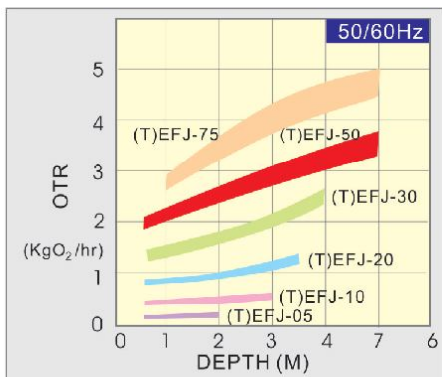
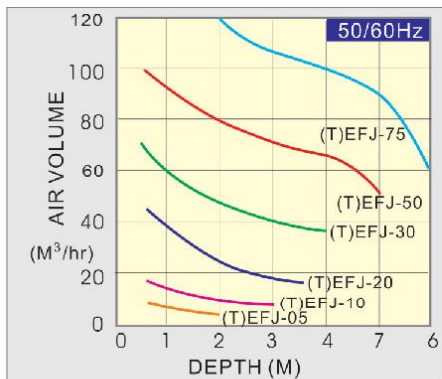
### Features

- High oxygen transfer rate, BOD easy to remove from wastewater treatment.
- Mixing and stirring applications for uniform MLSS due to fine bubbles convention.

### Applications

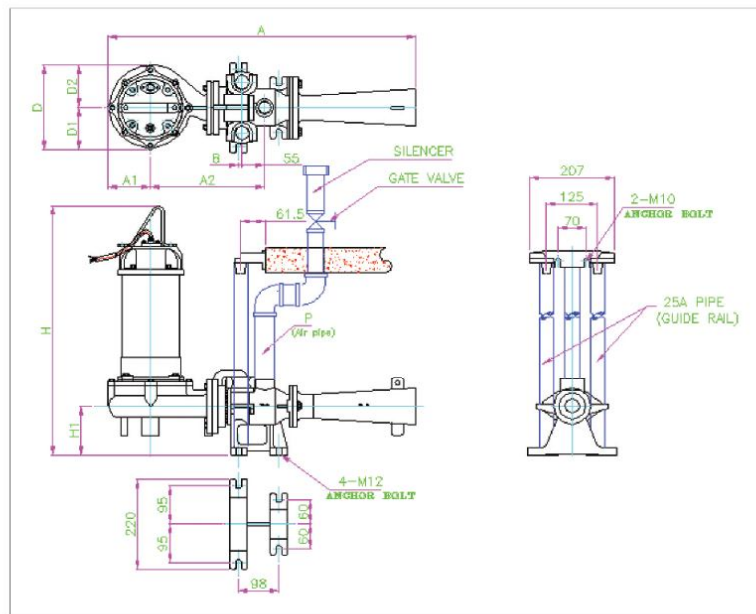
- Oxygen aeration of wastewater for wastewater treatment. Oxygenated for aquaculture such as fishing farming or hydroponics applications

### Performance Curves



### EFJ-SERIES

With Guide Rail Device  
**TEFJ-SERIES**



### Specification & Dimensions

Model	HP	Rated			Aeration Tank			Dimensions (mm)									
		Air (M³/hr)	OTR (Kg-O₂/hr)	HR (M)	L (M)	W (M)	H (M)	A	A1	A2	D	D1	D2	H	H1	P	(Kg)
(T)EFJ-05	1/2	5	0.12~0.23	1.5	2.0	1.8	2.0	648 (679)	100	198 (229)	163	76	87	410 (458)	72 (120)	25A	23 (33)
(T)EFJ-10	1	10	0.3~0.5	2.0	3.0	2.5	3.0	648 (679)	100	198 (229)	163	76	87	430 (478)	72 (120)	25A	31 (41)
(T)EFJ-20	2	22	0.9~1.1	2.5	4.0	3.5	3.5	721 (752)	110	250 (281)	205	100	105	540 (588)	72 (120)	40A	40 (50)
(T)EFJ-30	3	40	1.9~2.2	3.0	5.0	4.5	4.0	721 (752)	110	250 (281)	205	100	105	580 (628)	72 (120)	40A	42 (52)
(T)EFJ-50	5	70	2.8~3.3	3.5	6.0	5.0	5.0	742 (773)	125	258 (289)	230	110	120	620 (640)	100 (120)	40A	52 (64)
(T)EFJ-75	7 1/2	100	4.2~4.7	4.0	7.0	6.0	6.0	742 (773)	125	258 (289)	230	110	120	660 (680)	140 (160)	40A	58 (70)

- (T): With Guide Rail Device