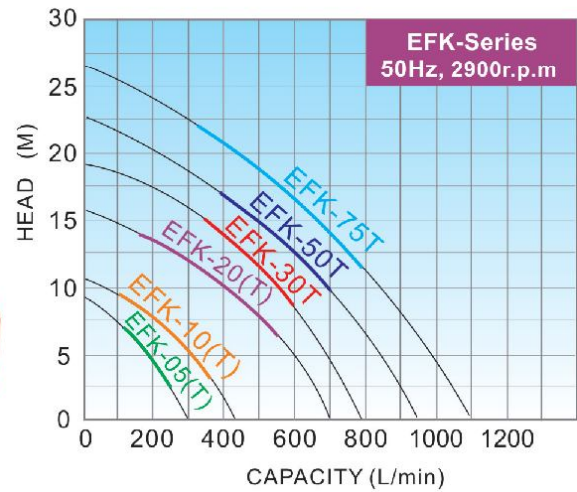




▲ Performance Curves



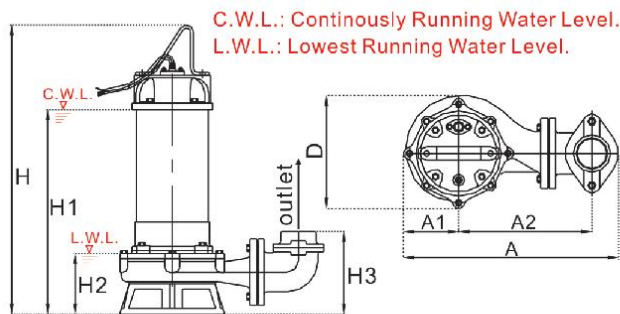
▲ Features

- Tipped with tungsten cutter to cut off foreign objects and prevent from clogging.
- Epoxy resin cable base, dry motor, double mechanical seals, auto-cut protector.

▲ Applications

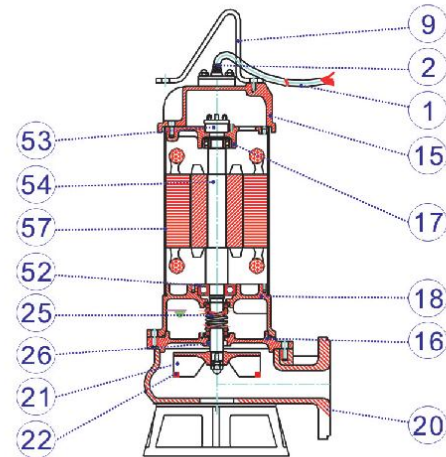
- Hospital, school, building, etc. waste water treatment system; Industrial wastewater and ground water drainage.
- To transfer various wastewater and sewage.

▲ Specification & Dimensions



NOTE: Forbid running submersible pumps continuously under L.W.L.

▲ Parts and Materials List



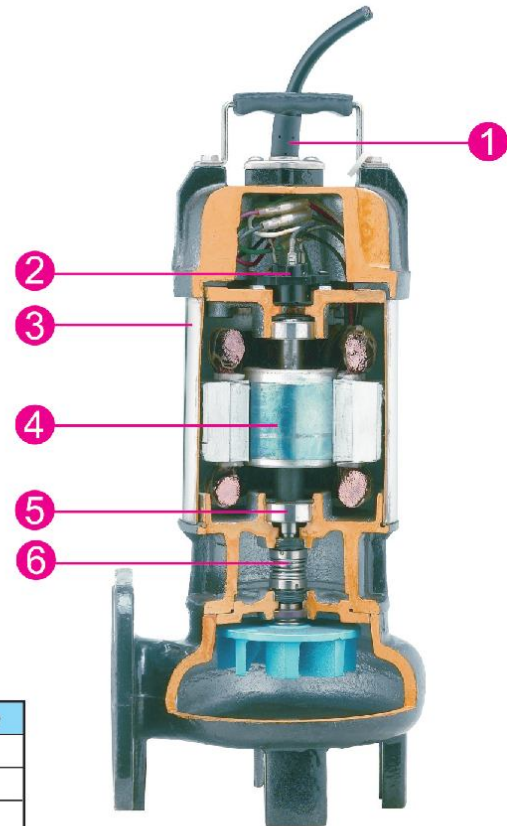
NO	PART	MTRL	NO	PART	MTRL
1	Cable	VCT	21	Impeller	FCD450
2	Cable Hood	PVC	22	Cutter edge	Tungsten
9	Handle	Nylon6/SS41	25	Mech. Seal	CA/CE
15	Motor Cover	Nylon66/ FC200	26	Oil Seal	NBR
16	Seal Housing	FC200	52	Bearing	(NTN)
17	Bracket	FC200	53	Protector	(T.I/YAMADA)
18	Oil Chamber	FC200	54	Shaft	SUS410
20	Pump Casing	FC200	57	Motor Housing	SUS304

Model	Power HP	Outlet Inch	Phase φ	Rated		Max.		Dimensions (mm)							Cable M	Net Weight KG	Solid Passage MM	
				Head	Cap.	Head	Cap.	A	A1	A2	D	H	H1	H2				H3
				M	LPM	M	LPM											
EFK-05(A)(T)	0.5	2"	1,3	6	150	9.5	300	222	75	115	150	332	220	65	92	5	13	22
EFK-10(A)(T)	1	2"	1,3	8	190	11.0	430	222	75	115	150	362	250	65	92	5	18	22
EFK-20(A)(T)	2	2"(3")	1,3	10	360	15.5	700	317	105	165	210	560	390	115	168	5	33	22
EFK-30T	3	2"(3")	3	11	440	18.5	800	317	105	165	210	580	410	115	168	5	35	22
EFK-50T	5	3"(4")	3	10	680	22.5	950	458 (509)	110	256 (294)	227	610	445	138	225	5	55	28
EFK-75T	7.5	3"(4")	3	12	750	28.5	1100	458 (509)	110	256 (294)	227	650	485	138	225	5	61	28

- 10M cable are available per special request.
- (A): Equipped with automatic float switch.
- (T): Three phase motor.

Construction

- 1 Water-proof Cable:**
Epoxy potting for self-contained core sealer
- 2 Motor Protector:**
Built-in protectors preventing motors from burnout due to abnormal operation
- 3 Anti-corrosive Motor Housing:**
Made of stainless steel, high-resistance to corrosion
- 4 High-Efficiency Motor:**
Specially designed submersible motor with F class insulation and low temperature rise
- 5 C3 Clearance Bearing:**
Deep groove bearing with C3 clearance, running life more than 50,000 hours
- 6 High-reliability Shaft Sealing:**
Back-to back double mechanical seals in the separate oil chamber, oil seal equipped at pressure side



Applications

Model	Type	Power	Impeller	Solid Passage
EFK	Cutter Pump	0.5~7.5HP	Semi-open/TC cutter	22~28mm
EF	No-clog Pump	0.5~7.5HP	Vortex	35~50mm
EFD	Dredging Pump	0.5~7.5HP	Vortex	15~35mm

USER CATEGORIES	EF	EFK	EFD
Breweries	●	●	
Canneries	●	●	
Chemical Ind.	●	●	
Construction	●		●
Dredging			●
Environmental Ind.	●	●	●
Food processing	●	●	
Hotel Restaurant	●	●	
Leather Ind.	●	●	
Mines	●		●
Paper mill	●		
Petrochemical Ind.	●	●	
Power plant	●		●
Quarries	●		●
Refineries	●	●	
Rolling mills			●
Rubber Ind.	●		
Sewage treatment	●	●	●
Steel works	●		●
Sugar factories	●		
Textile mills	●	●	
Electronics	●		●

USER CATEGORIES	EF	EFK	EFD
Abrasive	●		●
Activated sludge		●	
Aggressive media	●		
Cement			●
Chicken feathers	●		
Circulation water	●		
Coal washing water	●		●
Digester sludge	●		
Fly ash	●		●
Gassy sludge	●		
Grinding dust			●
Ground water	●	●	
Harbor sludge	●		●
Oil residues	●		●
Paper pulp	●		
Primary sludge	●		
Process water	●		
Sand, lime sludge			●
Sewage	●	●	
Sludge circukation	●		●
Viscous media	●		
Waste water	●	●	